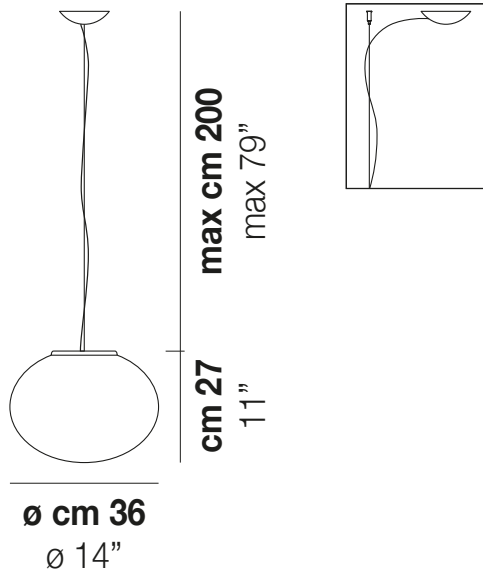


LUCCIOLA SP P



TECHNICAL DATA:



CERTIFICATIONS:



LIGHT SOURCES

LED	Power	Voltage	Beam Angle
LED 2700K DIM2	1x77W	220-240 V 50/60 Hz	E27
LED 2700K DIM3	1x12 W	24 V	Led 2700 K 12 W 24 V 1700 lm DIM2 Phase Cut
LED 3000K DIM2	1x12 W	24 V	Led 2700 K 12 W 24 V 1700 lm DIM3 0-10V, Push
LED 3000K DIM3	1x12 W	24 V	Led 3000 K 12W 24 V 1700 lm DIM2 Phase Cut
			Led 3000 K 12 W 24 V 1700 lm DIM3 0-10V, Push

VOLUME	Mc 0,11
GROSS WEIGHT	Kg 4,5
NET WEIGHT	Kg 2,5

download



SHADE FINISHING



BCST

FRAME FINISHING



NI

OTHER VERSION AVAILABLE

Click on the version to go to the web version of the product

