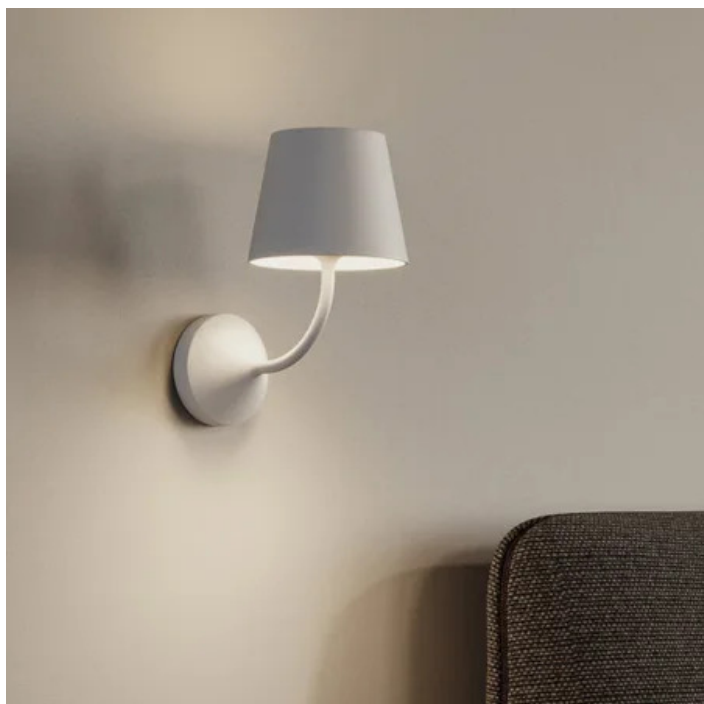
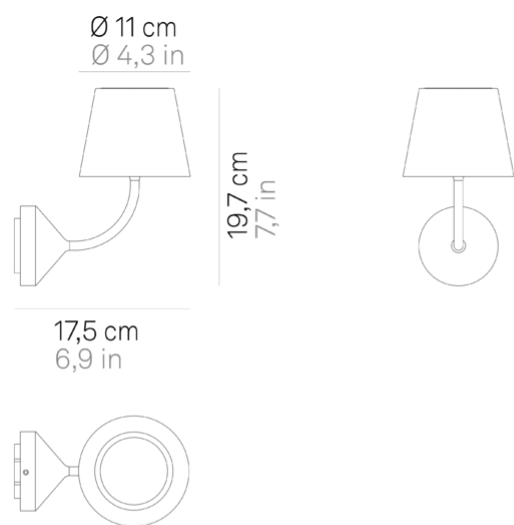


Poldina 230V _wall

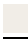




Wall lamp with die-cast aluminum structure painted in matt white, corten or dark grey, and transparent polycarbonate diffuser. The high IP rating (IP54) makes the lamp ideal for indoor and outdoor use.



LED dimmable IP54

LD0348

	White	B3		Dark gray	N3
	Corten	R3			



DESIGN IN ITALY BY ZAFFERANO SRL, MADE IN PRC

Zafferano SRL - Viale dell'Industria, 26 31055 Quinto di Treviso
- Italy www.zafferanoitalia.com

Poldina 230V _wall

Lighting specifications

source	LED
type	SMD
total power	5,4 W
power LED	3,0 W
color temperature	2700 K
lumen lamp	300 lm
lumen LED	446 lm
beam angle	54°
CRI	> 80
class	D
dimmer	TRIAC
motion sensor	NO

Electrical specifications

voltage	220-240V
frequency	50/60 Hz
input	220-240V
output	350 mA - 8/13V
batteria	2 cell li-ion battery pack mod. 18650 3,7v - 2500 ma/h

ACCESSORIES
